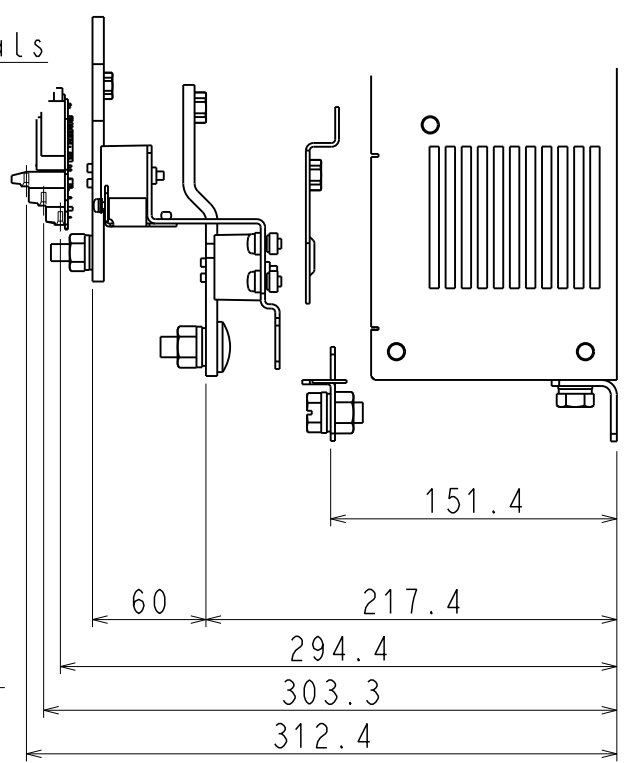
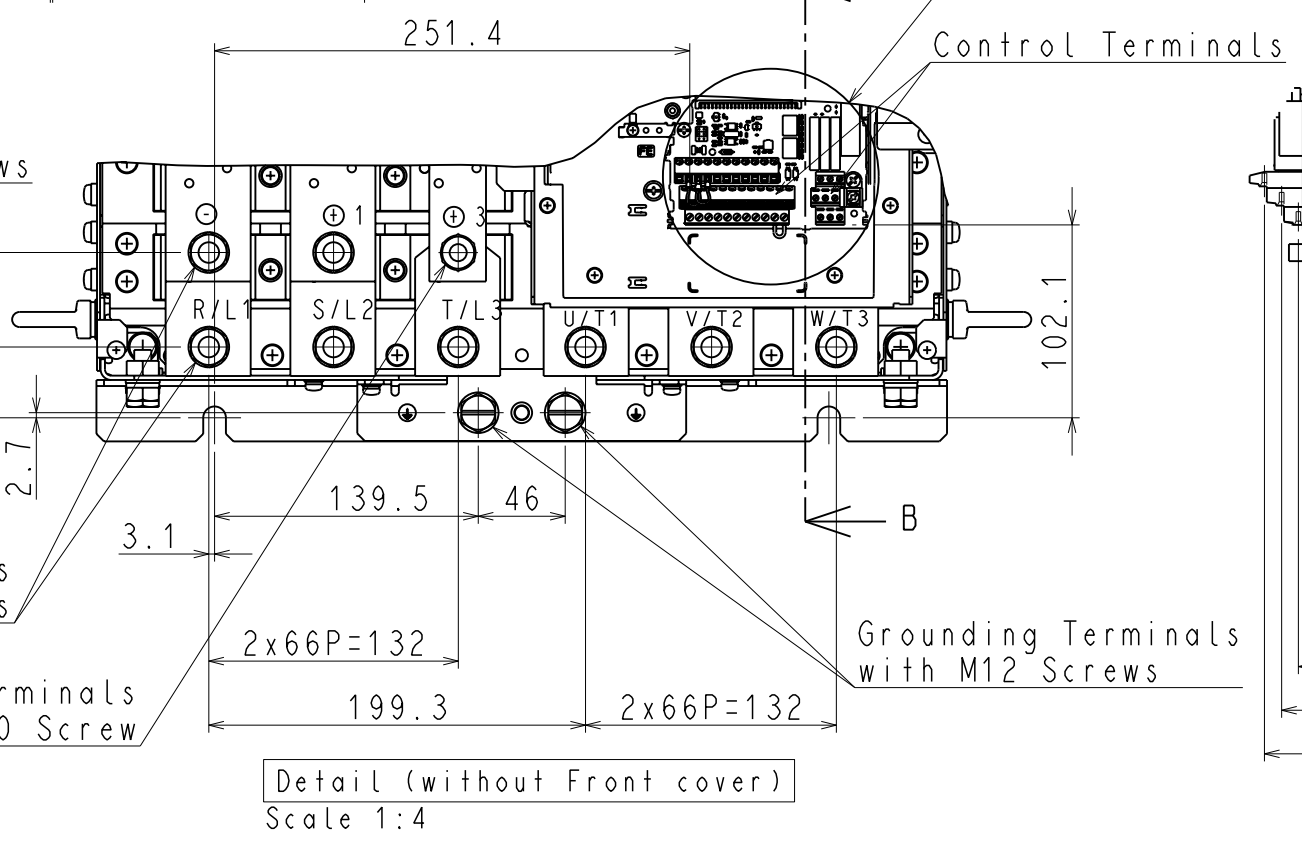
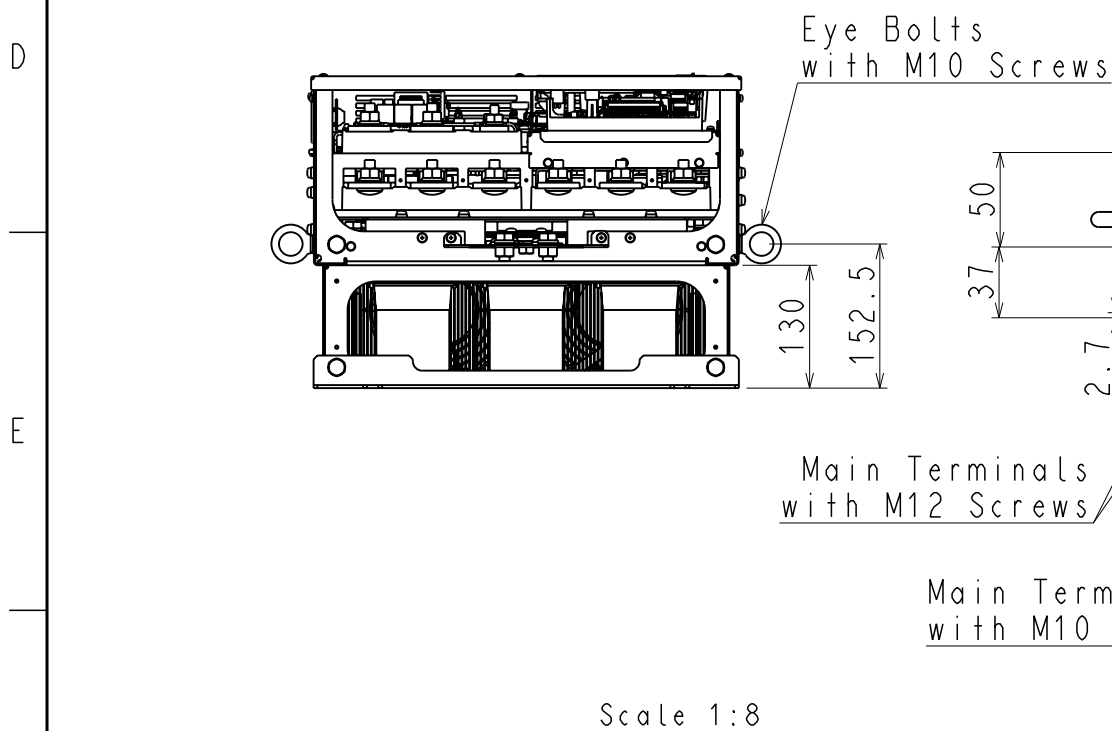
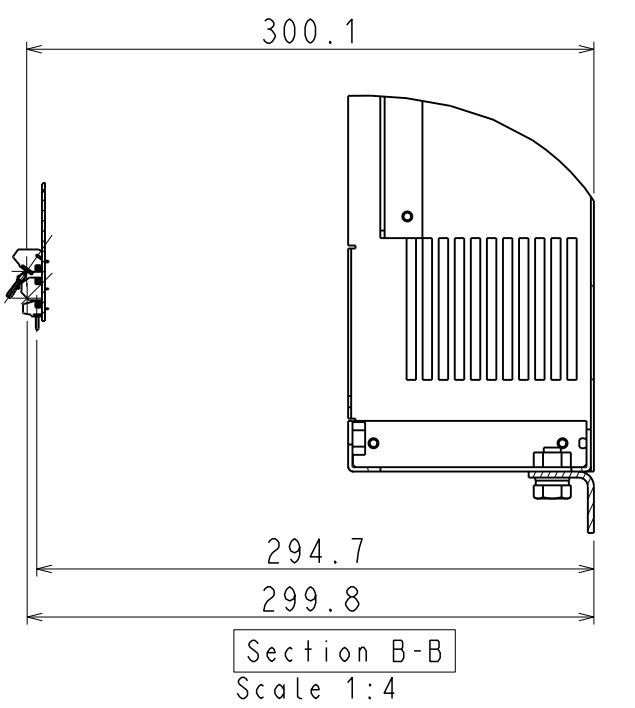
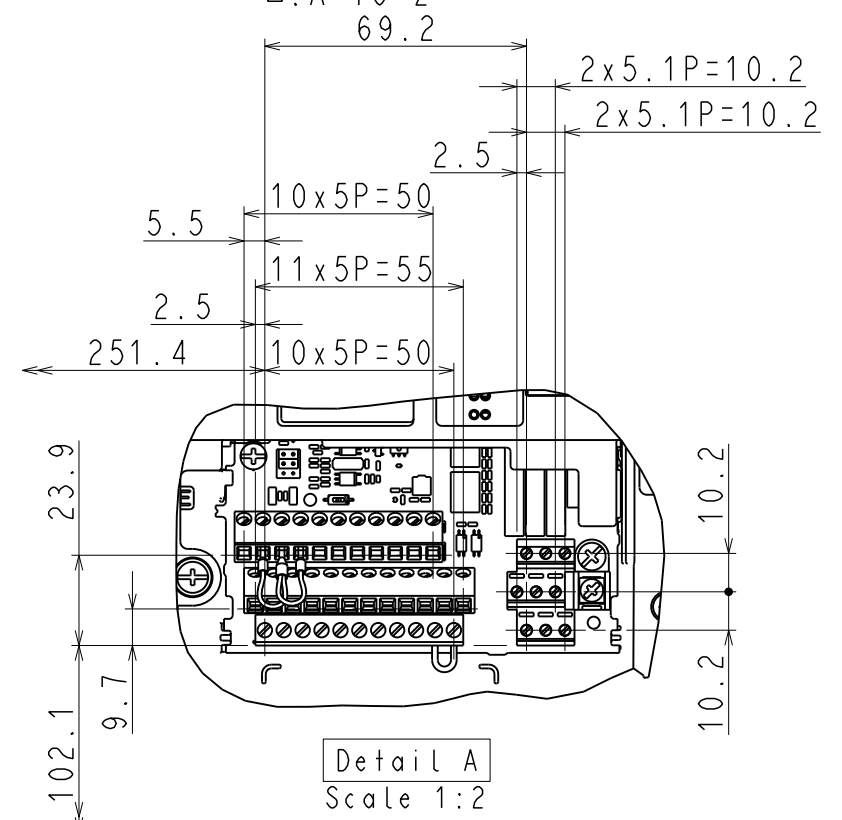
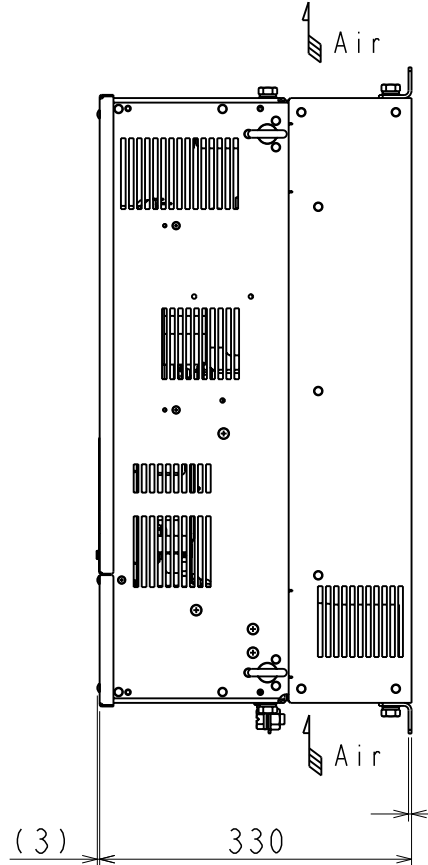
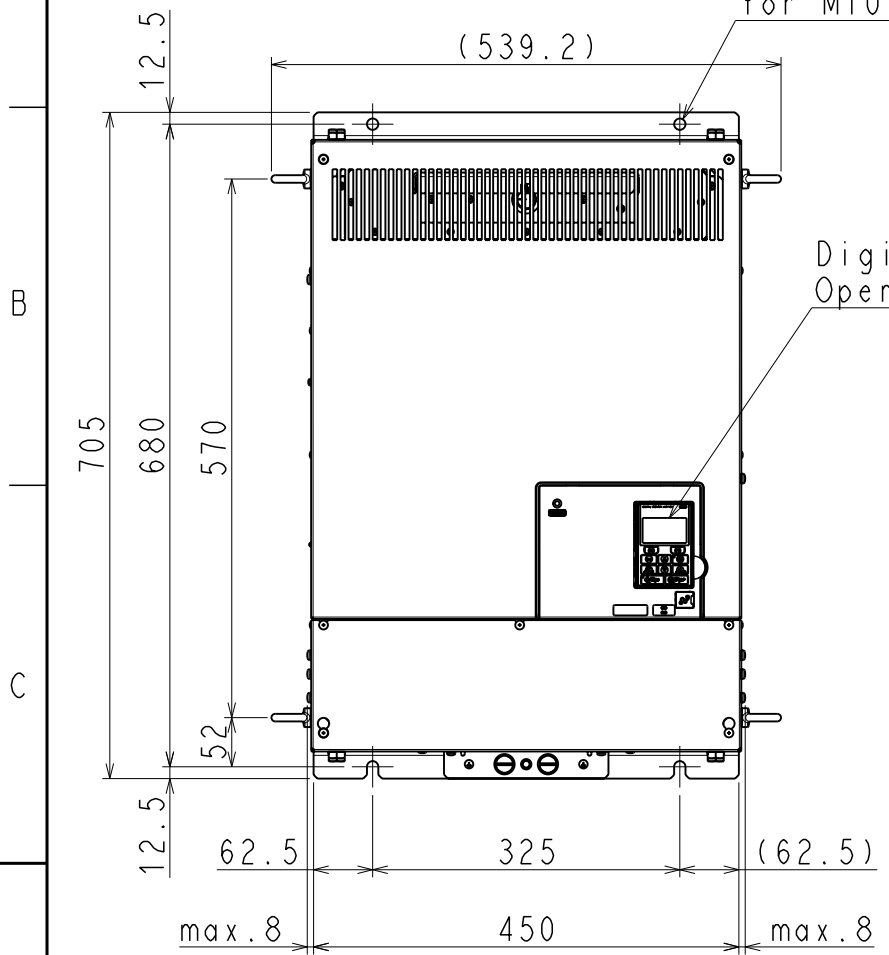


DWG. NO. EZZ902074-1/1

Model No.	Max Appli. Motor (kW)		Terminal Symbol			Cooling Fan	Mass (kg)			
	Normal Duty	Heavy Duty	INPUT OUTPUT(MOTOR)							
CIMR-LT2□0215A	-	55	R/L1	S/L2	T/L3	U/T1	V/T2	W/T3	2	76
CIMR-LT2□0283A	-	75	R/L1	S/L2	T/L3	U/T1	V/T2	W/T3	2	80
CIMR-LU2□0215A	-	55	R/L1	S/L2	T/L3	U/T1	V/T2	W/T3	2	76
CIMR-LU2□0283A	-	75	R/L1	S/L2	T/L3	U/T1	V/T2	W/T3	2	80

□: A to Z

Third Angle Projection
Dimensions in mm



REVISIONS	SCALE - : -	YASKAWA	DRAW. Nov. 28, 2013 N. Takeyama	TITLE L1000A OPEN CHASSIS TYPE	DWG. NO. EZZ902074	REV. 1	
			CHECK M. Kojyo				1
			APPR. M. Kojyo				
DIMENSION DIAGRAM							